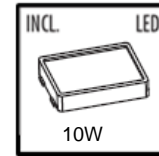
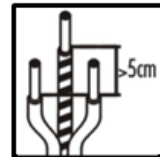
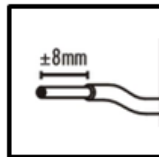
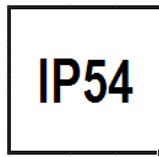
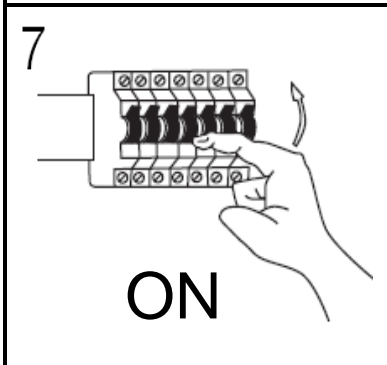
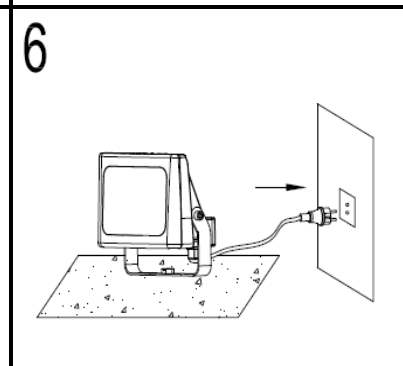
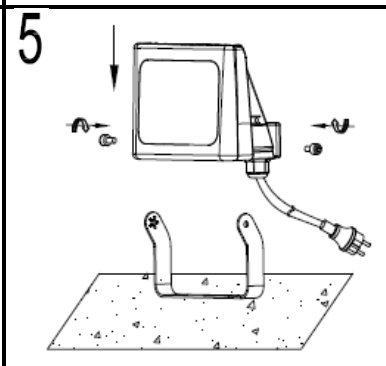
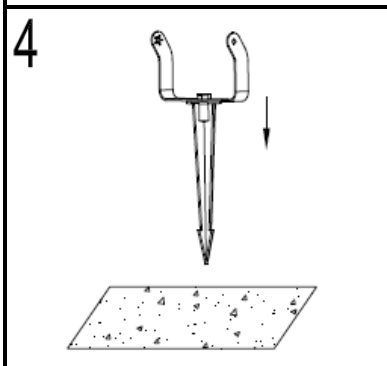
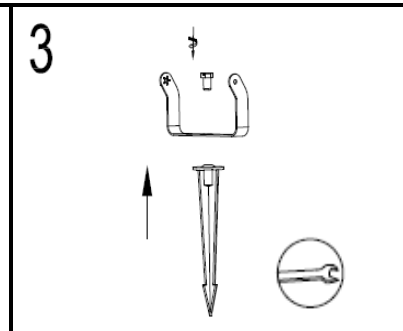
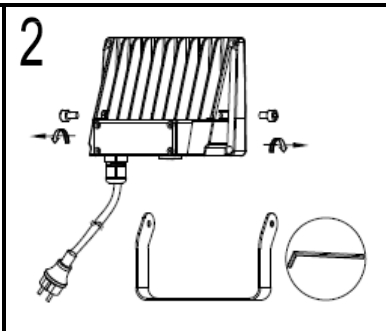
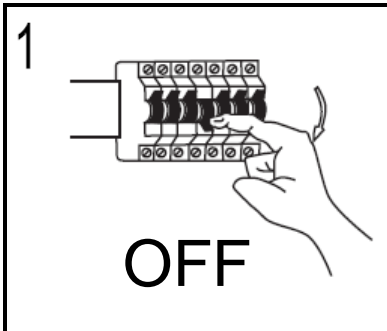


LUTEC



INFO:
 Art.:
 6170S-SP
 220-240V
 ~50-60Hz



Service:

Germany (DE), Austria (AT), Switzerland (CH) :
www.ecolight.biz / +49 228 9691090
ECO-LIGHT Leuchten GmbH
 Bücheler Weg 27 - D-53347 Alfter
France(FR): www.lutec-france.com / +33 04 75602568
 - are members of
Lutec Group
 CN8, Far East Industry Park , Yuyao, China
www.lutec.net